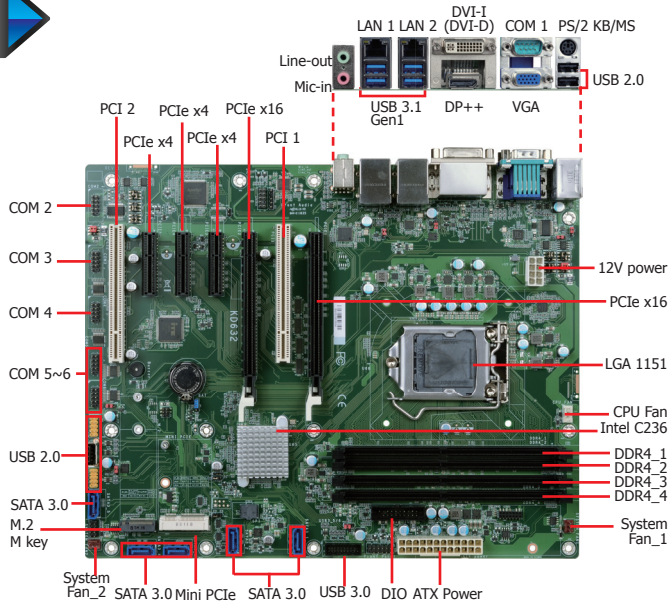


KD632-C236

Workstation

C236

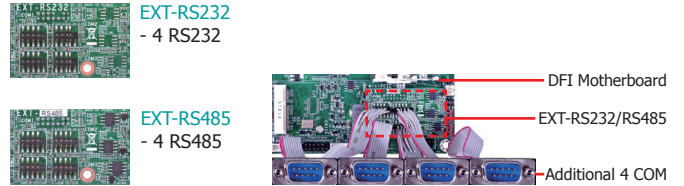


Features

- 4 DDR4 ECC/Non-ECC U-DIMM up to 64GB
- 3 independent displays: VGA + DVI-I (DVI-D signal) + DP++
- DP++ resolution up to 4096x2160 @ 60Hz
- Multiple expansion: 2 PCIe x16 (1 x16 or 2 x8 signal), 3 PCIe x4, 2 PCI, 1 M.2 M key, 1 Mini PCIe
- Rich I/O: 2 Intel GbE, 6 COM, 6 USB 3.1 Gen1, 7 USB 2.0



2 Extension Modules for Additional 4 COM Ports (via the LPC connector)



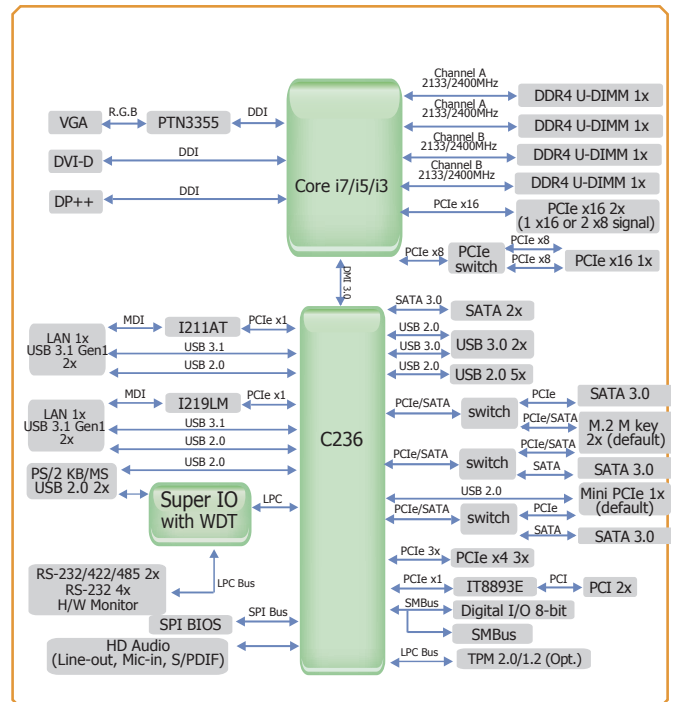
Ordering Information

Model Name	P/N	Memory	GbE	RS-232/422/485	RS-232	USB 3.1 Gen1	USB 2.0	Power	Thermal	Temp.
KD632-C236CRM	770-KD6321-100G	4 U-DIMM	2	2	4	6	7	24-pin ATX	Active	0 to 60°C

Mechanical Drawing



Block Diagram



Specifications

SYSTEM	Processor	6th/7th Generation Intel® /Xeon Core™ /Pentium®/Celeron® LGA 1151 Socket Processors with TDP up to 95W	
	Chipset	Intel® C236 Chipset	
	Memory	Four 288-pin ECC U-DIMM up to 64GB (Core™ i5/i7 only support non-ECC)	Dual Channel DDR4 2133/2400MHz
	BIOS	Insyde SPI 128Mbit	
GRAPHICS	Controller	Intel® HD Gen 9 Graphics	
	Feature	OpenGL 5.0, DirectX 12, OpenCL 2.1 HW Decode: AVC/H.264, MPEG2, VC1/WMV9, JPEG/MJPEG, HEVC/H265, VP8, VP9 HW Encode: MPEG2, AVC/H264, JPEG, HEVC/H265, VP8, VP9	
	Display	1 x VGA 1 x DVI-I (DVI-D signal) 1 x DP++	VGA: resolution up to 1920x1200 @ 60Hz DVI-D: resolution up to 1920x1200 @ 60Hz DP++: resolution up to 4096x2160 @ 60Hz
	Triple Displays	VGA + DVI-I (DVI-D signal) + DP++	
EXPANSION	Interface	2 x PCIe x16 (1 x16 or 2 x8 signal) (Gen 3) 3 x PCIe x4 (Gen 3) 2 x PCI 1 x M.2 2260/2280 M key (SATA3.0/PCIe Gen3 x 2 NVMe) (Optane memory support) 1 x Mini PCIe (PCIe/mSATA/USB 2.0)	
AUDIO	Audio Codec	Realtek ALC888S-VD2-GR	
ETHERNET	Controller	1 x Intel® I211AT PCIe (10/100/1000Mbps) 1 x Intel® I219LM PCIe with iAMT11.0 (10/100/1000Mbps) (only Xeon/Core i7/i5 supports iAMT)	
REAR I/O	Ethernet	2 x GbE (RJ-45)	
	USB	4 x USB 3.1 Gen1	2 x USB 2.0
	Serial	1 x RS-232/422/485 (RS-232 w/ power) (DB-9)	
	PS/2	1 x PS/2 (mini-DIN-6)	
	Display	1 x VGA 1 x DVI-I (DVI-D signal) 1 x DP++	
	Audio	1 x Line-out, 1 x Mic-in, 1 x Line-in (opt., MOQ required)	
INTERNAL I/O	Serial	1 x RS-232/422/485 (RS-232 w/ power) (2.54mm pitch) 4 x RS-232 (2.54mm pitch)	
	USB	2 x USB 3.1 Gen1 4 x USB 2.0 + 1 x Vertical USB 2.0 (type A)	
	Audio	1 x Front Audio Header	1 x S/PDIF
	SATA	5 x SATA 3.0 (up to 6Gb/s) (1 SATA shared with mini PCIe (SATA), default at mini PCIe/2 SATA shared with M.2, default at M.2) RAID 0/1/5/10	
	DIO	1 x 8-bit DIO	
	LPC	1 x LPC (supports LPC EXT-RS232/RS485 module)	
	SMBus	1 x SMBus	
	WATCHDOG TIMER	Output & Interval	System Reset, Programmable via Software from 1 to 255 Seconds
SECURITY	TPM	Infineon TPM1.2/2.0 (opt., MOQ required)	
POWER	Type	ATX	
	Connector	8-pin ATX 12V power	24-pin ATX power
	Consumption	TBD	
	RTC Battery	CR2032 Coin Cell	
OS SUPPORT		Windows 7 32/64-bit Window 8.1 64-bit Windows 10 64-bit Ubuntu 16.04 Note: 7th Gen CPU SKU ONLY support Windows 10 64-bit & Ubuntu 16.04.	
ENVIRONMENT	Temperature	Operating: 0 to 60°C Storage: -30 to 60°C with RTC Battery; -40 to 85°C without RTC Battery	
	Humidity	Operating: 5 to 90% RH	Storage: 5 to 90% RH
	MTBF	TBD	
MECHANICAL	Dimensions	ATX Form Factor	305mm (12") x 244mm (9.6")
	Height	PCB: 1.6mm	Top Side: TBD Bottom Side: TBD
CERTIFICATIONS		CE, FCC Class B, RoHS	

Packing List

• 1 KD632-C236 motherboard	
• 1 COM port cables (Length: 400mm, 2 x COM ports)	A81-015026-023G
• 1 Serial ATA data cable (Length: 500mm)	332-553001-005G
• 1 I/O shield	A49-KD6000-000G
• 1 DVD	643-KD6321-000G
• 1 M.2 standoff	A33-725019-090G
• 1 M.2 screw	A32-112016-041G

Optional Items

• USB 2.0 port cable (Length: 350/398mm)	A81-001066-016G
• USB 3.1 Gen1 port cable (Length: 320mm)	A81-001052-023G
• Front Audio cable	A81-022022-016G
• DP to HDMI dongle	612-D2H13M-000G
• COM port cable (Length: 400mm, 2 x COM ports)	A81-015026-023G
• Serial ATA data cable (Length: 500mm, W/LOCK)	332-553001-005G
• Thermal solution (For 35W, Height: 37.3mm)	A71-103004-000G
• Thermal solution (For 65W, Height: 72.8mm)	552-200049-000G
• Thermal solution (For 95W, Height: 72.8mm)	761-103001-000G
• LPC EXT-RS232 module (4 x RS232 ports)	770-EXTRS1-000G
• LPC EXT-RS485 module (4 x RS485 ports)	770-EXTRS1-100G