

1 Technical Specifications

Model	MX2 Pro Wipe	MX3 Pro Wipe	MX6 Pro Wipe
Model with RFID	MX2r Pro Wipe	MX3r Pro Wipe	MX6r Pro Wipe
Print Mode	Direct Thermal and Thermal Transfer		
Print Resolution	203dpi	300dpi	600dpi
Max Print Speed	18ips (457.2 mm/s)	14ips (355.6 mm/s)	6ips (152.4 mm/s)
Max Media Width	4.72" (120 mm)		
Max Print Width	4.09" (104 mm)	4.16" (105.7 mm)	4.16" (105.6 mm)
GPU	GC NanoUltra 3D (1 shader) &GC320 2D OpenGL ES 2.0		
MPU	64-bit, quad Arm® Cortex®-A53 core, maximum operating frequency 1.8 GHz		
Memory	2GB DDR4 RAM, 8GB Managed NAND Flash		
HEAT™ Level ^①	I		
RFID Encoder	Supports UHF EPC Gen 2, ISO 18000-6C protocols (Only available for RFID models)		
Media Roll	Outer Diameter: 12" (304.8 mm) max. Inner Diameter: 3" (76.2 mm)		
Liner Rewind	Outer Diameter: 7.87" (200 mm) max.		
Media Thickness	0.0024" ~ 0.012" (0.06 ~ 0.305 mm), including liner		
Ribbon	Width: 0.79" ~ 4.33" (20 ~ 110 mm) Length: 1968' (600 m) max. Outer Diameter: 3.38" (86 mm) max. Inner Diameter: 1" (25.4 mm) Ink side: both In and Out		
Media Sensor	Upper reflective: detects black marks on print side Lower reflective: detects black marks on back side Transmissive: detects gaps, notches, holes		
Fonts	Five built-in dot matrix fonts, which include Basic Latin and Latin-1 Supplement character sets. Two built-in scalable fonts. One supports Latin, Greek and Cyrillic scripts, and the other is a GB2312 Chinese character set specifically. User downloadable TrueType fonts.		
Barcode Types	1D Barcodes: Code 39, Code 93, Code 128/subset A,B,C, Codabar, Interleave 2 of 5, UPC A/E 2 and 5 add-on, EAN-13/8/128, UCC-128, GS1-128, etc. 2D Barcodes: MaxiCode, PDF417, Data Matrix, QR Code, GS1 DataMatrix, GS1 QR Code, CS Code, etc.		
Interfaces	RS-232 Serial, 10/100/1000Mbps Ethernet, USB DEVICE 2.0, USB HOST, General I/O Signal Interface, Logic Control I/O Signal Wiring Terminal Block		
LCD Display	4.5" LCD Capacitive Touchscreen		
Application Mode	Wipe		

Model	MX2 Pro Wipe	MX3 Pro Wipe	MX6 Pro Wipe
Model with RFID	MX2r Pro Wipe	MX3r Pro Wipe	MX6r Pro Wipe
Label Size for Application	Width: 10 ~ 120 mm Height: 25 ~ 250 mm		
Distance from Print Line to Peeling Edge	360 ~ 570 mm		
Distance between the Product to Be Labeled and the Peeling Edge	2 ~ 10 mm		
Size of the Product to Be Labeled	Variable		
Speed Matching between Printing and Product Moving	The printer regulates the print speed according to the signal received back from the conveyor speed encoder.		
Labeling Speed ^②	About 60 labels/min		
Applying Directions	To the top, to the below, or to the side		
Power Source	100 ~ 240 VAC, 50/60 Hz		
Operating Environment	Temperature: 32°F ~ +104°F (0°C ~ 40°C) Relative humidity: 5% ~ 90% non-condensing Maximum Altitude: 5000 m		
Storage Environment	Temperature: -40°F ~ +140°F (-40°C ~ 60°C) Relative humidity: 5% ~ 90% non-condensing		

①: HEAT™, or Heating Equilibrium Adaptive Tuning, is a POSTEK designed and developed cutting-edge technology that sets the benchmark for heat management in thermal printing. Printers equipped with HEAT™ have significant improvements in their printout clarity and print speed. The HEAT™ level represents the fineness of the heating uniformity with level I being the finest.

②: The labeling speed varies depending on the labeling interval, the height of the label and the selected print speed, the Labeling Speed here is based on a continuous labeling with label height of 100 mm and a printing speed of 4ips.

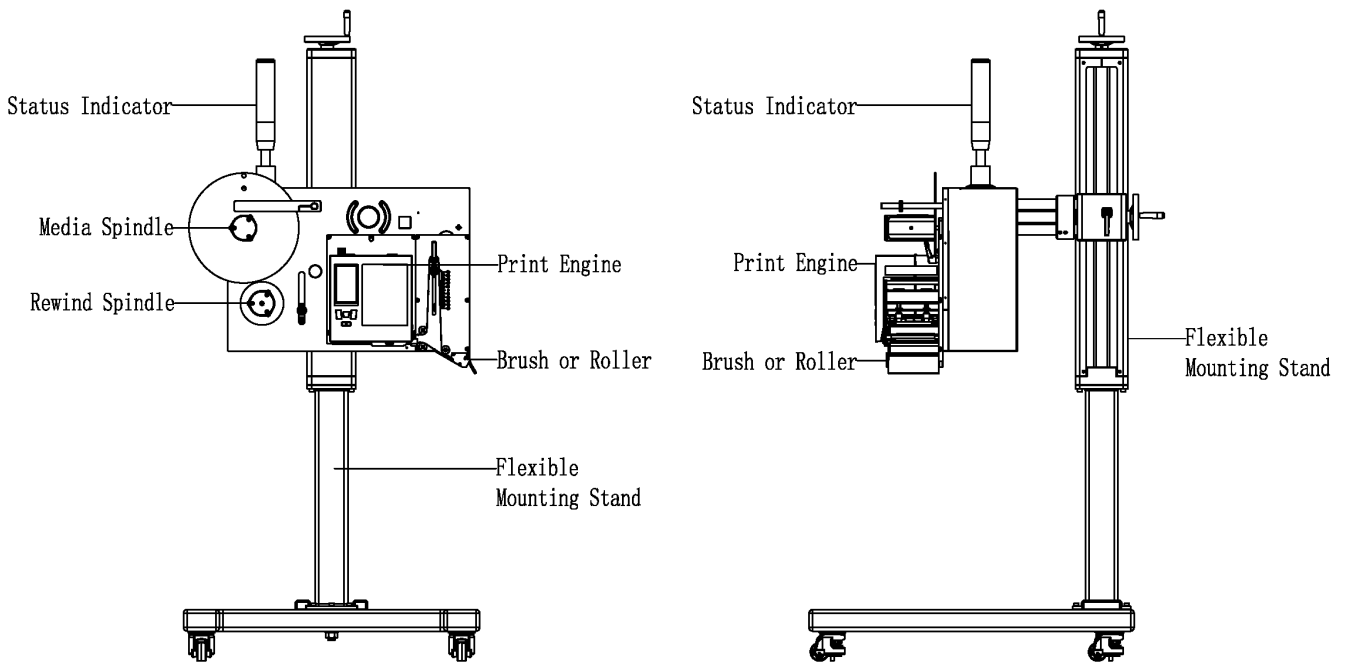
2 Optional Features

Optional Features	Description
RFID Verifier*	External-mount module (Only available for RFID models)
Visual Verifier	There are three software packages listed below for the visual verifier, and users can choose one from them based on needs and budget: 1. Verifies 1D & 2D barcode data. 2. Verifies 1D & 2D barcode data and evaluates printed barcode symbologies. 3. Verifies 1D & 2D barcode data, evaluates printed barcode symbologies, and

Optional Features	Description
	inspects print defects. <i>Note: After purchasing the software packages for the visual verifier, a product key will be provided for activation.</i>
Ribbon Saving Kit*	Including the following items: 1. Automatic Brake on the ribbon take-up spindle. 2. The automatic printhead open/close module. <i>Note: After purchasing the Ribbon Saving feature, a product key will be provided for activation.</i>
Wireless Module*	WIFI IEEE 802.11a/b/g/n/ac/ax, 2.4/5GHz, Bluetooth 5.0

*Factory dependent.

3 Main Parts



4 Dimensional Drawings (Units: mm)

