

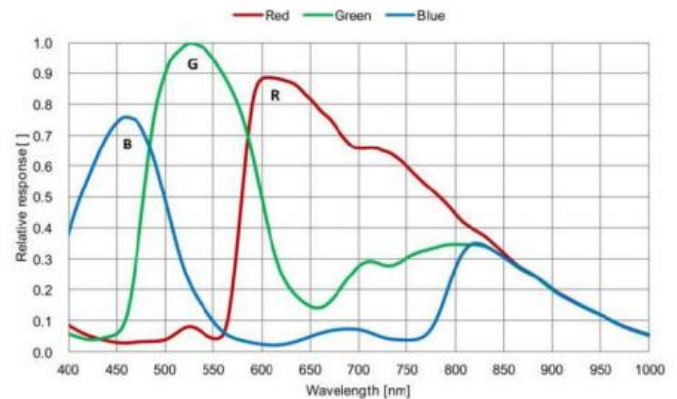
AE Series Industrial Camera

GRONET GCMR-LA-A230AE-UC40

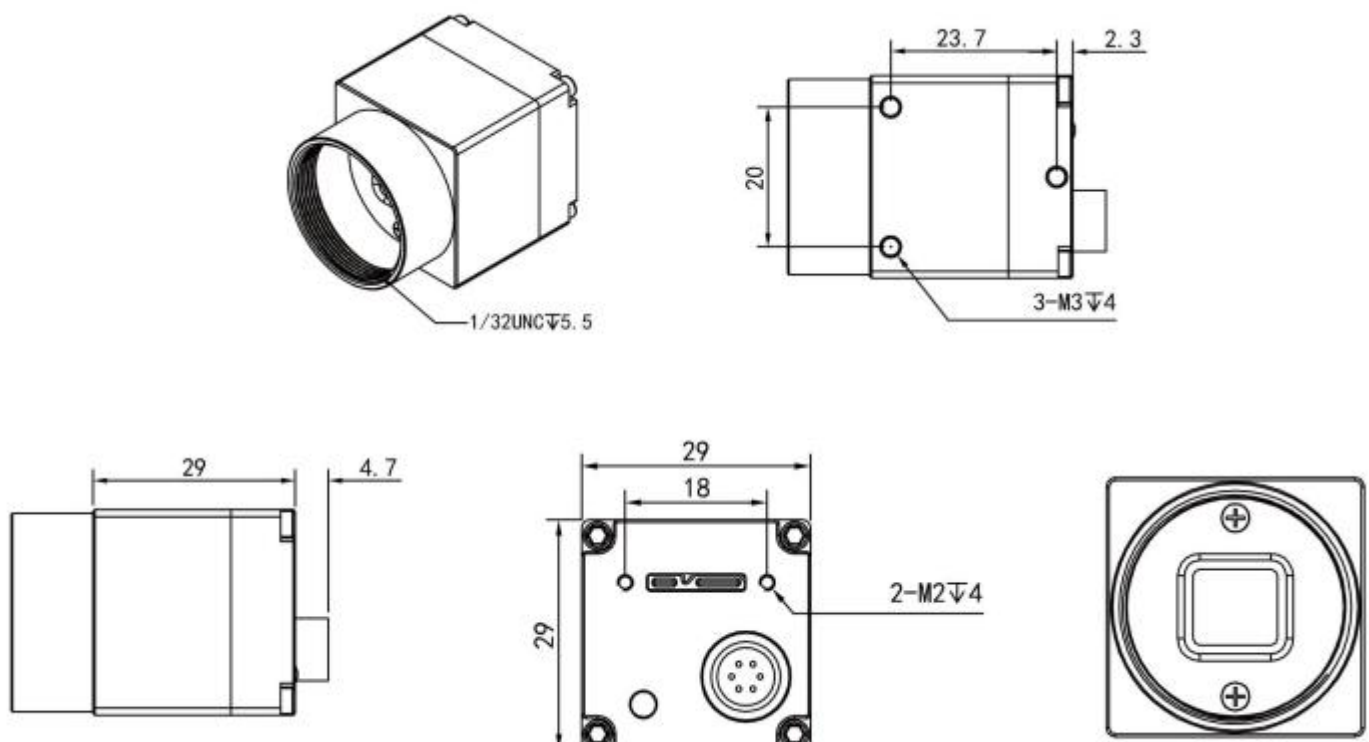
► Feature

- Small volume, 40g ultra light weight, industry universal fixing hole
- Comply with USB3.0 ultra high speed communication protocol, with a maximum speed of 440MByte/s
- Equipped with a large capacity frame cache, real-time transmission is stable and reliable
- Strong stability in ultra-low power consumption, with typical power consumption below 2W
- Third-party visual development software, developed based on USB3.0Vision and GenICam, compatible with HALCON, LabView, OpenCV, etc
- Implement image preprocessing with camera hardware graphics accelerator
- External dimensions: 29 mm × 29 mm × 29 mm

► Spectral Response



► Dimensions



▶ Parameter AE Series Industrial Camera

Model	GRONET GCMR-LA-A230AE-UC40
Sensor	1/1.2"CMOS
Shutter Type	Global
Resolution	1920x1200
Frame Rate(fps)	40
Bit Depth	/
Pixel Size(μ m)	5.86
Signal-to-noise ratio (dB)	41.54
Dynamic Ranger(dB)	59
Mono/Color	Color
Image parameter	
ROI	40x40, minimum step 8
Binning	/
Image Format	BGR24, RAW8, RAW16, MONO8, MONO16
Gain	Gain: 1-100 times, step size: 0.125 times
Shutter Exposure	20us-20s970ms880us
Trigger Mode	Software trigger / hardware trigger
Interface parameter	
Data Interface	USB3.0
Lens Mount	C-mount
GPIO interface	/
Power parameters	
Power Supply	USB 5V power supply
Power Waste (W)	Working: 1.67W, standby: 1.1W
Structural parameters	
Product Size(mm)	29 * 29 * 29
Weight(g)	40
Environmental parameters	
Temperature (°C)	-10~50
General specifications	
Compatibility	USB3.0 Vision, GenICam, HALCON, LabView, OpenCV
IP protection grade	IP30
Identification	CE,FCC,RoHS