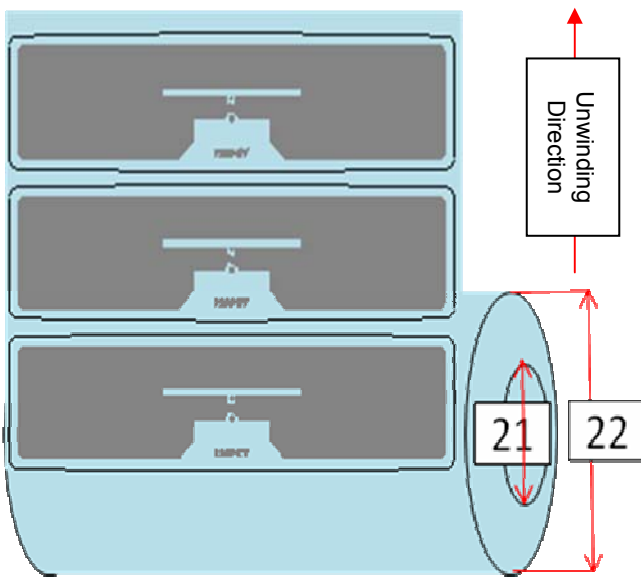
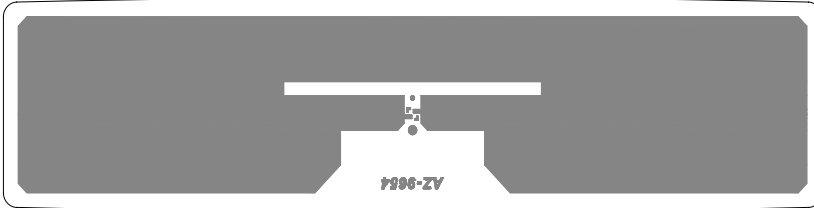


AZ-9654 23.20*96.50mm White Wet Inlay

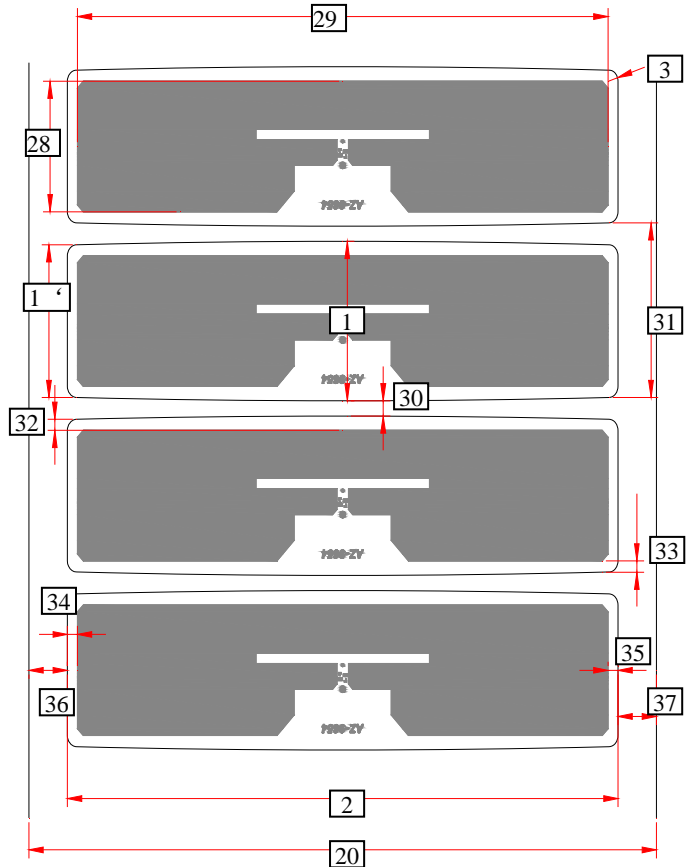
1. (Mechanical Characteristics)

1.1 (White wet inlay)

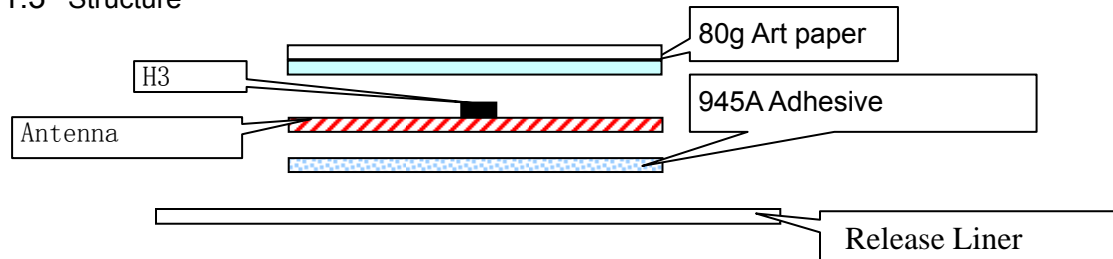


1.2 (Dimensions)

Item	No.	Parameter
White Wet Inlay Length	1	23.20±1.00mm
White Wet Inlay Length	1'	22.20±1.00mm
White Wet Inlay Width	2	96.50±1.00mm
White wet inlay Corner Radius	3	R=1.60mm
Liner Width	20	110.00±1.00mm
Core ID	21	3inch (76.20±0.50mm)
Core OD	22	≅200.00mm
Antenna Length	28	19.00±1.00mm
Antenna Width	29	93.00±1.00mm
White wet inlay Gap	30	2.20±2.00mm
White wet inlay Pitch	31	25.40±2.00mm
Antenna to PET (top)	32	1.60±1.50mm
Antenna to PET (bottom)	33	1.60±1.50mm
Antenna to PET (left)	34	1.75±1.50mm
Antenna to PET (right)	35	1.75±1.50mm
White wet inlay Edge to Liner (36) Edge (Left/Right) (37)	36 37	6.75±2.00mm



1.3 Structure



2. 电气特性 (Electrical Characteristics)

(Item)	(Description)	(Remarks)	
Manufacture / Chip	Alien/Higgs3		
Base Material	PET		
Antenna	Etched Alumium (10 μ m) + PET (50 μ m)	Antenna Supplier: CN0597	
Protocol	ISO/IEC 18000-6C EPC Class1 Gen2		
Memory	EPC	96Bits	Read & Write
	TID	32Bits	Read Only
	Unique TID	64Bits	Read Only
	Password	32Bits Access 32Bits Kill	Read & Write
	User	512Bits	Read & Write
Frequency	860~960MHz		
Operating Mode	Passive		
IC Life	100,000 Programming cycles, 10years data retention		
ESD Voltage Immunity	2000V	Human being mode(HBM)	

3. (Environmental Requirement)

(Adhesive Application Temperature/Humidity): [10°C to 40°C] 20% to 80%

(Operating Temperature): [-20°C to +50°C]

(Environmental requirements of adhesive may vary on different materials).

(Shelf Life):

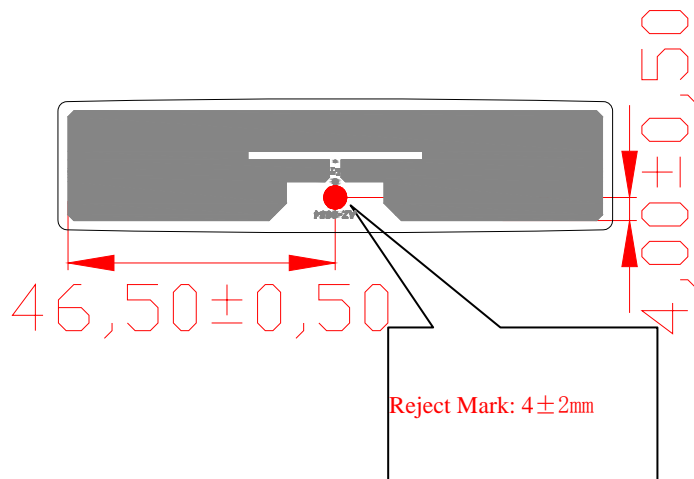
From the date of manufacture, 1 year at 23±5°C / 50%±10%RH), un-seal the vacuum bag and avoid direct sunlight exposure..

Disclaimer: Our recommendations are based on our latest knowledge and experience, we reserve all rights for final explanation

4. (Handling Precautions)

Inlays with ink marks are bad ones. DO NOT USE.

The position of the mark is shown as below.



Keep away from water and collision. DO NOT BEND.

5. (Packaging)

Reference Packing: vacuumed packing in ESD bag; 1000±100 Pcs/roll, 4rolls/ctn.

Note: Vacuum packing provides protection during transportation, for product storage please refer to “No. 3 Environmental Requirement”.(Actual Qty as per Shipping Mark)

