

## CL7205A RFID Antenna



## Specifications

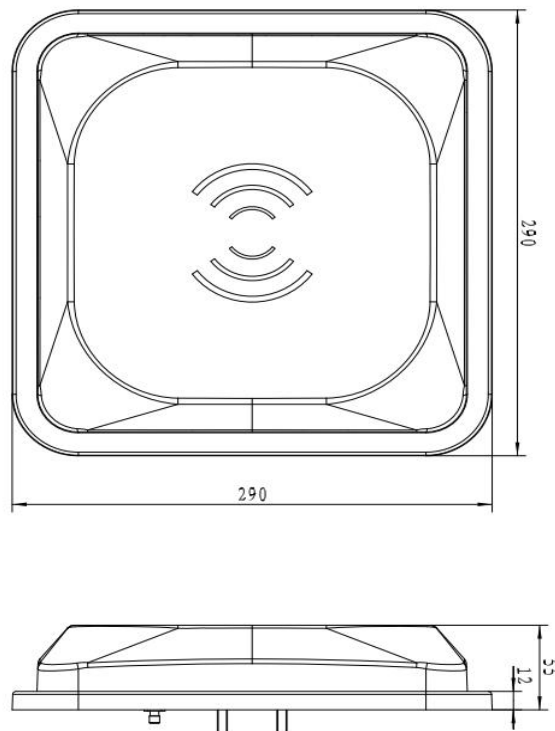
### Physical / Environmental Specifications

Dimensions (L x W x D)	290mm×290mm×55mm
Weight	600g
Radome Material	Aluminum +ABS
Environmental Rating	IP66
Connector type / position:	SMA male on the back
Mounting	Bracket
Operating Temperature	-20 - +70°C
Storage Temperature	-40 - +80°C

### Electrical Specifications

Frequency Range	840MHz ~ 960MHz
Polarization	Circular
Far-Field Gain	9 dBi
Beamwidth	70° x 70°
Typical VSWR	1.3:1
Front to back ratio	20 dB
Nominal Impedance	50 ( $\Omega$ )
Maximum Input Power	10W

## Outline Dimensions



## Radiation Pattern

Name	Theta	Ang	Mag
m1	0.0000	0.0000	9.1860

